

## 阅读申明

- 1.本站收集的数据手册和产品资料都来自互联网，版权归原作者所有。如读者和版权方有任何异议请及时告之，我们将妥善解决。
- 2.本站提供的中文数据手册是英文数据手册的中文翻译，其目的是协助用户阅读，该译文无法自动跟随原稿更新，同时也可能存在翻译上的不当。建议读者以英文原稿为参考以便获得更精准的信息。
- 3.本站提供的产品资料，来自厂商的技术支持或者使用者的心得体会等，其内容可能存在描述上的差异，建议读者做出适当判断。
- 4.如需与我们联系，请发邮件到marketing@iczoom.com，主题请标有“数据手册”字样。

## Read Statement

1. The datasheets and other product information on the site are all from network reference or other public materials, and the copyright belongs to the original author and original published source. If readers and copyright owners have any objections, please contact us and we will deal with it in a timely manner.
2. The Chinese datasheets provided on the website is a Chinese translation of the English datasheets. Its purpose is for reader's learning exchange only and do not involve commercial purposes. The translation cannot be automatically updated with the original manuscript, and there may also be improper translations. Readers are advised to use the English manuscript as a reference for more accurate information.
3. All product information provided on the website refer to solutions from manufacturers' technical support or users the contents may have differences in description, and readers are advised to take the original article as the standard.
4. If you have any questions, please contact us at marketing@iczoom.com and mark the subject with "Datasheets" .

# UniStone PBA 31308

Next Generation

Bluetooth System Solution Family



## UniStone - Complete HCI System Module supporting BT 2.0 Plus Enhanced Data Rate

THE BLUETOOTH System module offers a qualified ready-to-use solution for accelerated time-to-market. It is based on Infineon's successful BlueMoon® UniCellular IC.

THE HIGH LEVEL of integration resulted into a competitive module footprint providing an optimized pad layout for easy design-in. The UniStone design focus area is cost, audio quality, range and in-design effort.

THE QUALIFIED temperature range from -40 to +85°C enables a wide spectrum of applications in a variety of different environments. Optimized memory participation of FW in ROM and patch RAM to obtain low cost and flexibility. Reference design and design kit are available for quick and easy design-in.

THE UniStone also offers an intact physical pin-out for all key interfaces for future generations.

THUS THE UniStone module is the perfect match for today's and future requirements of a standard Bluetooth HCI application.

## Applications

- Consumer, automotive & industrial applications
- Hands-free gateway
- Dial-up networking
- Data transfer & synchronization
- Advanced audio distribution

*Note: The Bluetooth word mark is owned by the Bluetooth SIG, Inc. and any use of this mark by Infineon Technologies AG is under license. The BlueMoon trade mark is owned by Infineon Technologies AG.*

## Key Features

- Bluetooth power class 2
- Bluetooth 2.0 + EDR
  - Enhanced data rate up to 3 Mbit/s
  - Adaptive frequency hopping
  - Extended SCO (eSCO) support
  - Multiple SCO/eSCO links
  - Fast connection setup
  - Channel quality driven data rate
- Firmware up to HCI in integrated ROM
- Patch area in RAM for FW upgrades
- On-module Bluetooth reference crystal
- On-module E<sup>2</sup>PROM for Bluetooth device data and unique Bluetooth address
- High RF sensitivity (-88 dBm @ 0.1% BER)
- Dynamic control of output power
- WLAN coex interface
- Support for up to 24 GPIO
- Main supply voltage 2.9 V - 4.1 V
- Adjustable UART and PCM interface levels (1.35 V to 3.6 V)
- RoHS compliant

## Key Benefits

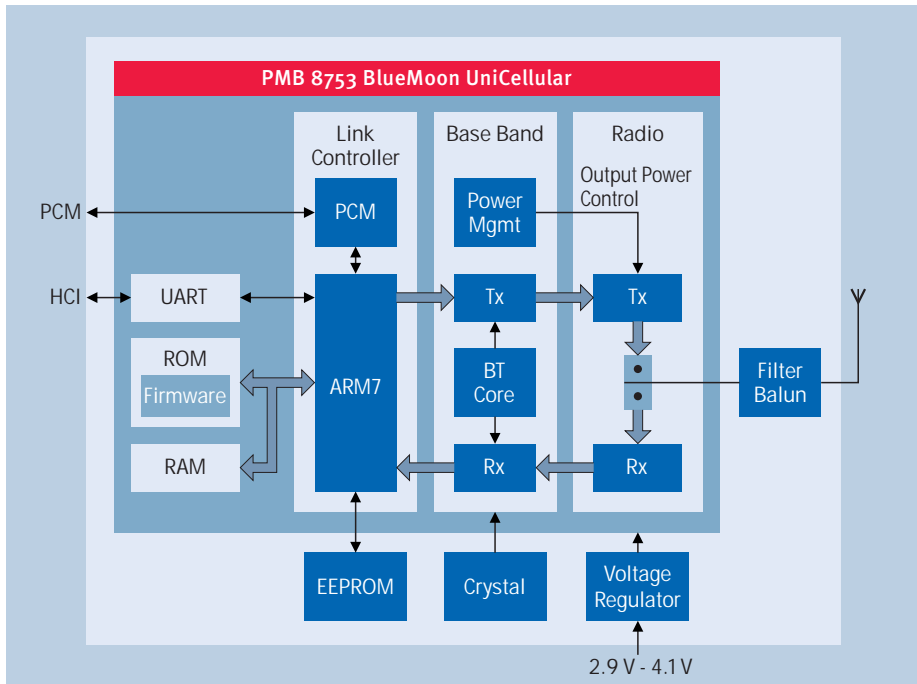
- One-Stop-Shop at Infineon
  - Module directly from IC and software manufacturer
  - Unified hardware and software support (Bluetooth system know-how)
  - Optimized value-chain (lead time, cost, responsibility)
- No external components needed except antenna
- Pre-qualified for Bluetooth and FCC
- Cost sensitive feature set and component selection
- Extended temperature range -40°C to +85°C
- Relaxed pad pitch - 1.2 mm - easy design-in
- Physical Pin-Out standardized for future generations (UART, PCM, Supply, Clock, Reset and Wakeup pins)
- Infineon provides roadmap from module to chip-on-PCB

[www.infineon.com/bluetooth](http://www.infineon.com/bluetooth)

Wireless Communication



Never stop thinking



## Block Diagram

- ARM7TDMI-S™/ARM® CPU
- HCI-FW in integrated ROM
- Patch RAM functionality
- High speed UART - 3.25 MB
- PCM
- Wake up line
- On-module E<sup>2</sup>PROM for Bluetooth device data
- On-module 26 MHz crystal
- On-module balun/filter
- On-module voltage regulator
- 3 wire WLAN coex interface
- 50 Ω antenna interface

## Product Summary

Type	Sales Code	Package
UniStone	PBA 31308	Module 8.7 × 11.6 mm <sup>2</sup> , 54 pads at 1.20 mm pitch
Development Kit	UniStone Kit	—



## Development Kit

The Development Kit is a complete platform for development and evaluation.

- Host Controller Interface tool box
- 1 pair of evaluation boards
- USB, UART and PCM interfaces
- Reference design
- Documentations

How to reach us:  
<http://www.infineon.com>

Published by  
Infineon Technologies AG  
81726 München, Germany

© Infineon Technologies AG 2006.  
All Rights Reserved.

### Legal Disclaimer

The information given in this Product Brief shall in no event be regarded as a guarantee of conditions or characteristics ("Beschaffenheitsgarantie"). With respect to any examples or hints given herein, any typical values stated herein and/or any information regarding the application of the device, Infineon Technologies hereby disclaims any and all warranties and liabilities of any kind, including without limitation warranties of non-infringement of intellectual property rights of any third party.

### Information

For further information on technology, delivery terms and conditions and prices please contact your nearest Infineon Technologies Office ([www.infineon.com](http://www.infineon.com)).

### Warnings

Due to technical requirements components may contain dangerous substances. For information on the types in question please contact your nearest Infineon Technologies Office.

Infineon Technologies Components may only be used in life-support devices or systems with the express written approval of Infineon Technologies, if a failure of such components can reasonably be expected to cause the failure of that life-support device or system, or to affect the safety or effectiveness of that device or system. Life support devices or systems are intended to be implanted in the human body, or to support and/or maintain and sustain and/or protect human life. If they fail, it is reasonable to assume that the health of the user or other persons may be endangered.

Ordering No. B134-H8839-X-X-7600  
Printed in Germany  
PS 05061. nb